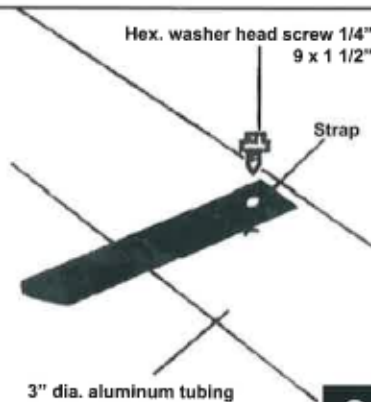
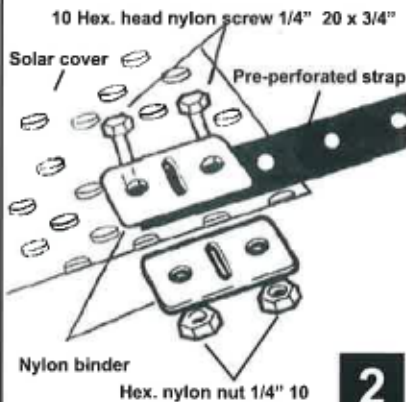
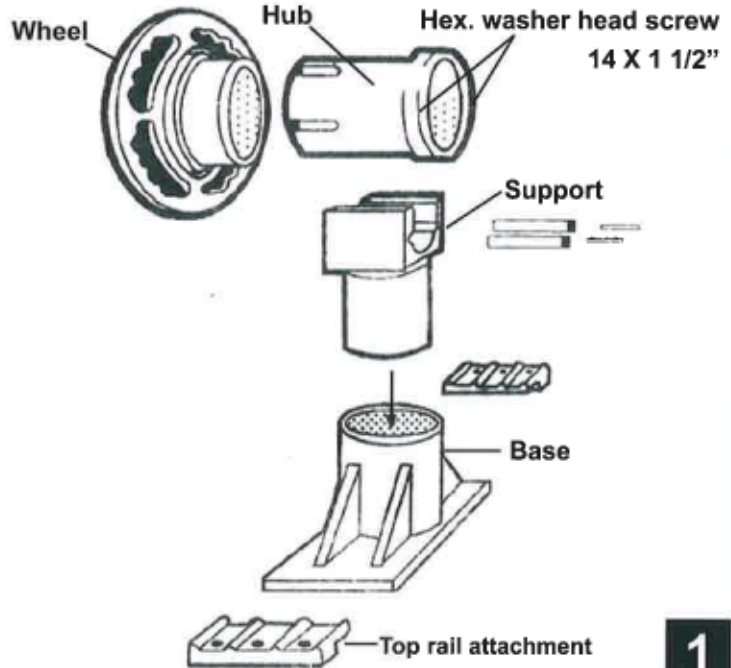
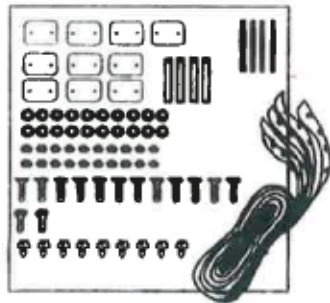
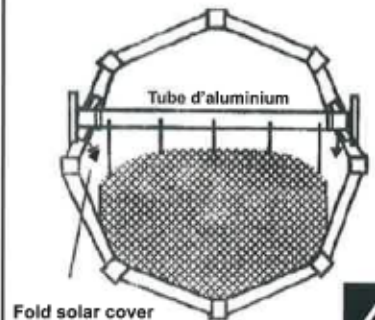


# INSTRUCTION SHEET



Ajustable straps depending of shape of the pool



When you install the straps to the solar cover they must be in equal distance one from the other. The straps length must be adjust in function of the shape of the pool.

You must drill holes in aluminum tubing to fix straps wich are already attached to solar cover.

Fold overlap before rolling the cover.